

Electric Actuators

TREA40 Electric Actuators Standard Features

General Features

- Specifically designed for ball valve, butterfly valve and dampers control.
- Small, light and compact design.
- Electrostatic powder coated aluminium body
- 40 Nm torque value
- Easy mounting with ISO5211 standards
- Hand control unit
- Standard 2 pieces output limit switches
- Valve position indicator
- Long lasting
- For TREA40; 85-265 V AC and 24 V DC can be used.
- Working Rate: S2: % 100 max. 30 min.

On-Off Electric Actuator (TREA 40)

Body	: Aluminium injection, electrostatic powder coated
Torque Output Value	: 40 Nm
Body Enclosure	: IP67
Hand Control Unit	: It is on the actuator body and make on/off
Supply Voltage	: 85-265 V AC ve 24 V DC
Open-Close Time	: 14 sn (50 .. 60Hz, 90' turn)
Motor	: 24 V DC motor
Environment Temperature	: -20 °C ... 60 °C
Cable Connection Entry	: 0.5x11C - 1 meter assembled cable
Valve Connection Flange	: ISO5211 standard F03/F05
Limit Switches	: 2x Open/Close SPDT, Max 250VAC 3A
Auxiliary Limit Switches	: 2x Open/Close SPDT, Max 250VAC 3A

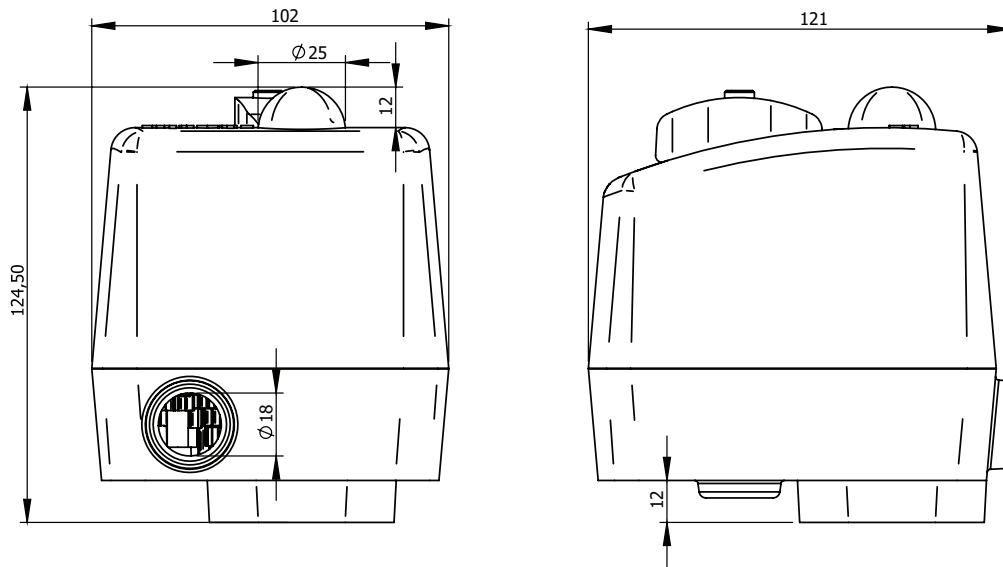


TREA 40

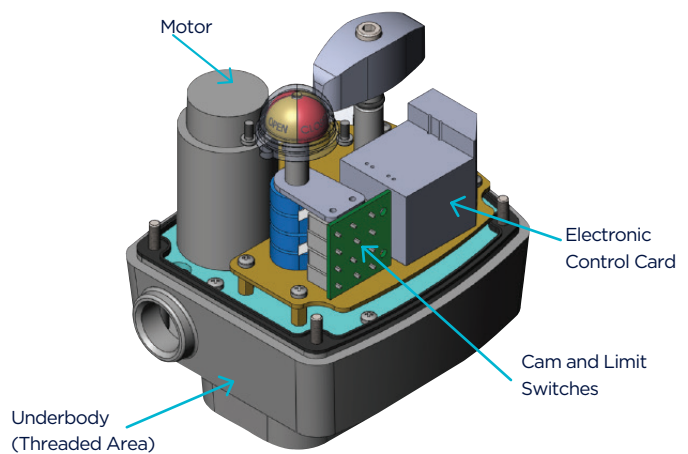
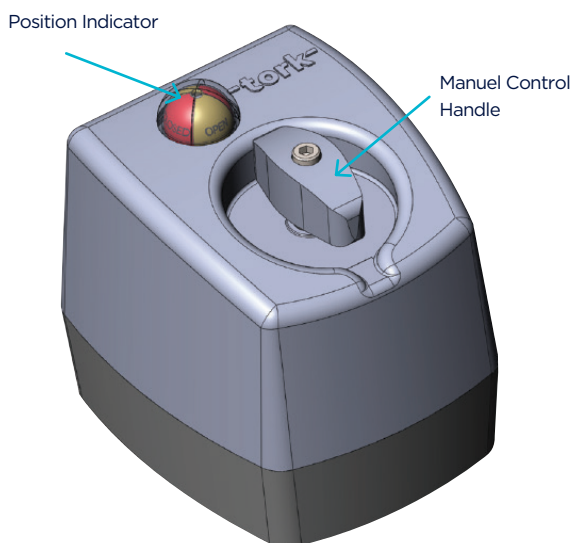


Electric Actuators

Sizes



Product and Piece Pictures



Electric Actuators

TREA60 and TREA80 Electric Actuator Standard Features

General Features

- Specifically designed for ball valve, butterfly valve and dampers control.
- Electrostatic powder coated aluminium body
- 60 Nm and 80 Nm torque value options
- Water and dust insulation is generally produced with IP67 with O-ring structure. IP68 is optional.
- Easy mounting with ISO5211 standard
- Hand control unit
- Standard 2 pieces output limit switches
- Automatic de-clutch output when motor is energized
- 2W heater against cold environments and humidity
- Valve position indicator
- Long lasting
- Working Rate: S2: % 100 max. 30 min. (For open/close models)
S4: %70, 1000 Start/Hour (For proportional models)



Optional Features

- Proportional working with PCU card
- On Open/Close models 230 VAC or 24 VDC supply voltage
on proportional models 85-265 VAC or 24 VDC supply voltage
- IP 68 (10mt 72 hour)
- Suitable for ZONE 1 and ZONE 2 Atex environment



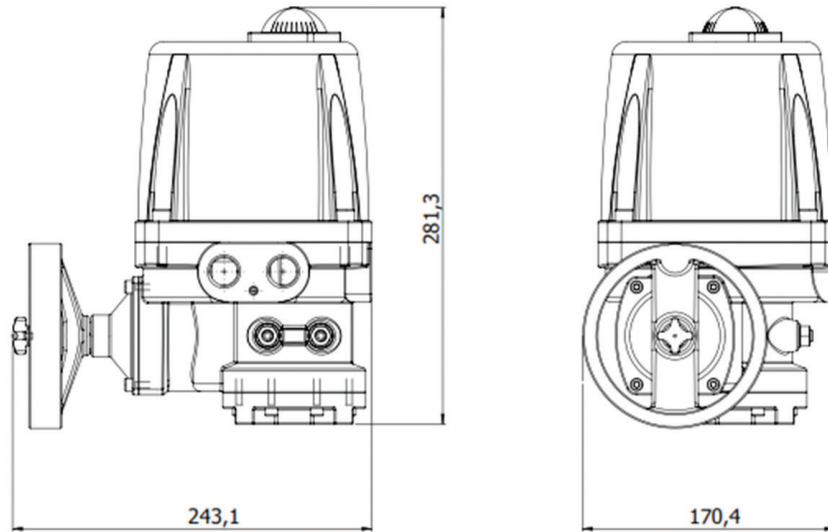
On-Off and Proportional Electric Actuator

Body	: Aluminium injection, electrostatic powder coated If ATEX, TEXN829 E/P BRIGHT Black Special Painted
Torque Output Value	: 60 Nm and 80 Nm
Body Enclosure	: IP67 IP68 (10 m (10 m depth 72 hour) Suitable for Atex (Ex II 2G Ex IIC T4 Gb) ZONE 1 and
Handle Control Unit	: On actuator body and for open / close.
Supply Voltage	: 230 V AC or 24 V DC
Open Close Time	: 14- 16 sec
Motor	: Reversible motor, it can rotate in two directions.
Limit Switches	: 2x Open/Close SPDT, Max 250VAC 5A
Auxiliary Limit Switches	: 2x Open/Close SPDT, Max 250VAC 5A
Environment Temperature	: -20 °C ... 60 °C
Cable Connection Entrance	: M20x1.5 Coupling
Valve Connection Flange	: ISO5211 standard F03/F05/F07
Optional	: Proportional control unit: 0/4-20 mA , 0/2- 10 mA, 0/2-10 VDC, 0/1-5 VDC input-output signals
Valve output shaft material	: Delta protect coated manufacturing steel as standart; on request stainless steel

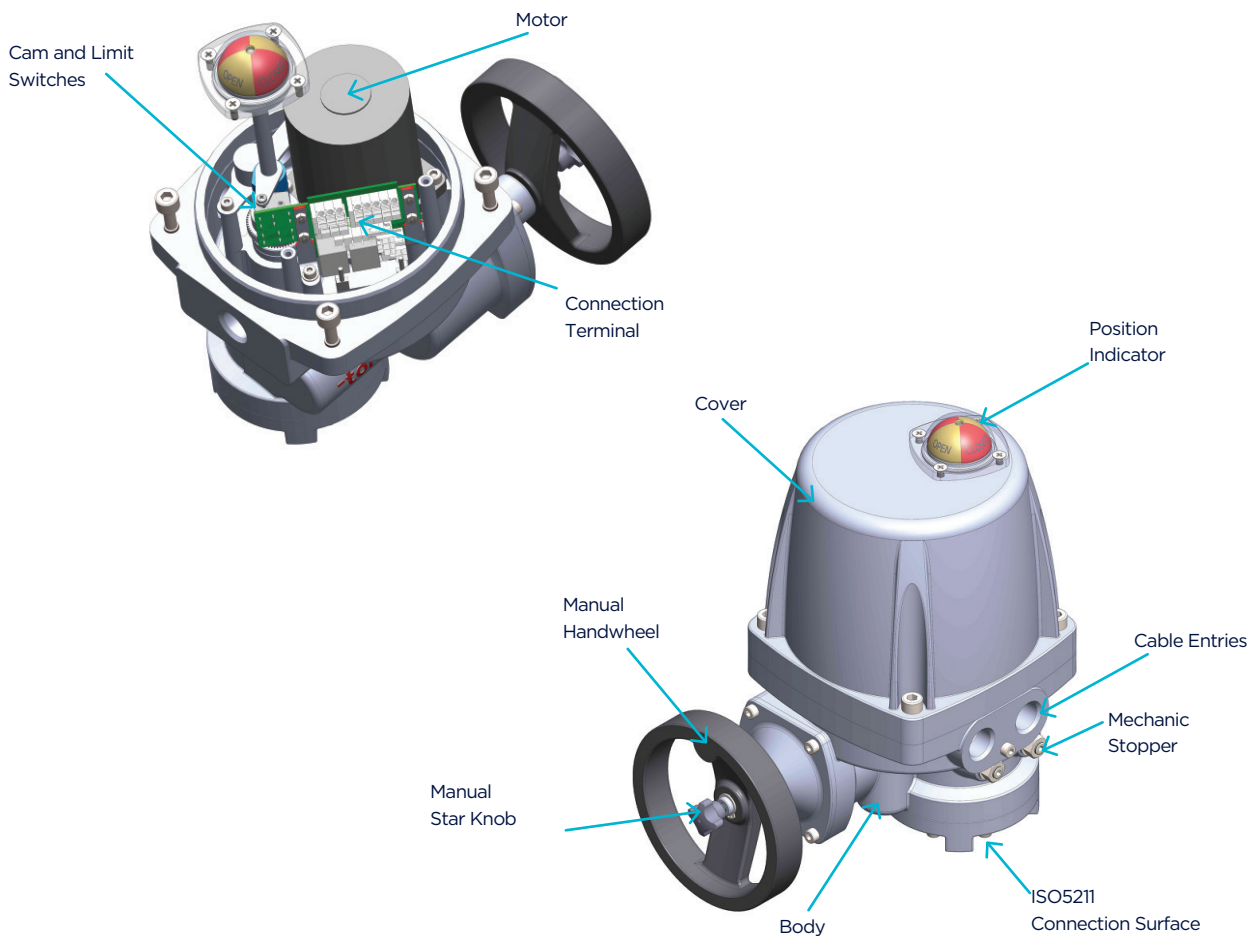


Electric Actuators

Sizes



Product and Pieces Pictures



Electric Actuators

TREAE60 Elektrik Actuator Standard Features

General Features

- Specifically designed for ball valve, butterfly valve and dampers control.
- Economic structure
- 60 Nm torque value
- Waterproof and dustproof IP65 with O-ring structure
- ISO5211 standard and easy mounting
- Hand control unit
- Standard 2 piece output limit switches
- Valve position indicator
- Long lasting

Optional Features

- TREAE60 için 100-240 V AC or 24 V DC/AC

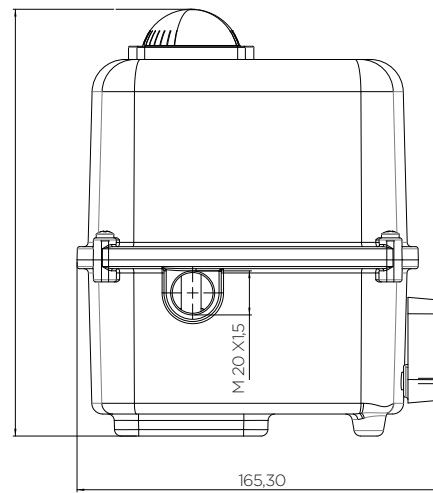
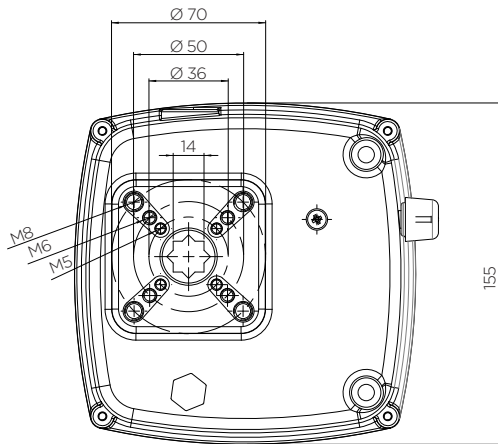
On-Off Electric Actuator

Body	: Plastic injection
Torque Output Value	: 60 Nm
Body Enclosure	: IP65
Handle Control Unit	: It is near the actuator body and make opening / closing
Supply Voltage	: 100-240 V AC or 24 V DC/AC
Open Close Time	: 14 sn
Motor	: Reversible DC Motor, it can rotate in two directions.
Limit Switches	: 2x Open/Close SPDT, Max 250VAC 3A
Auxiliary Limit Switches	: 2x Open/Close SPDT, Max 250VAC 3A
Environment Temperature	: -20 °C ... 60 °C
Cable Connection Entrance	: M20x1.5 coupling
Valve Connection Flange	: ISO5211 standard F03/F05/F07



Electric Actuators

Sizes



Product and Pieces Pictures

